

- o Flat Cable Connectors SEK
- o *har-mik®*
- o D-Sub
- o InduCom

Applications



Product details

09 20 010 2812

Female insert, Han 10 A

Series	Han A®
Number of contacts	10 poles + PE
Size of hood/ housing	Han® 10 A
Termination	Screw termination
Insert material	Standard material
Contacts	Inclusive
Electrical data	16 A 250 V 4 kV 3
RoHS compliant	Yes

Available Downloads

Title	Format	
Data sheet	PDF	↓ download
CAD data 2D	DXF	↓ download
CAD data 3D	IGES	↓ download

Inquiry

5

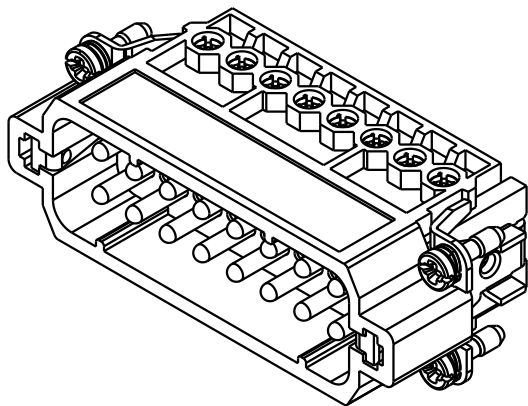
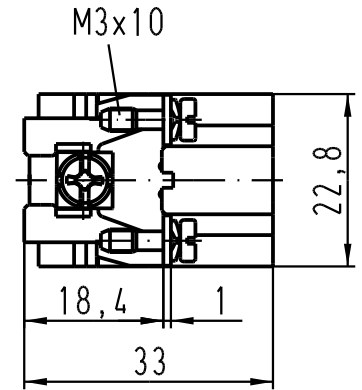
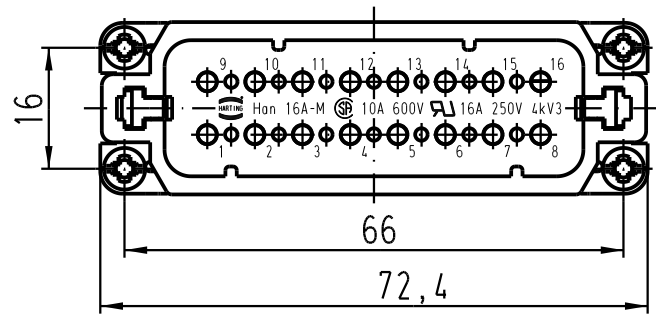
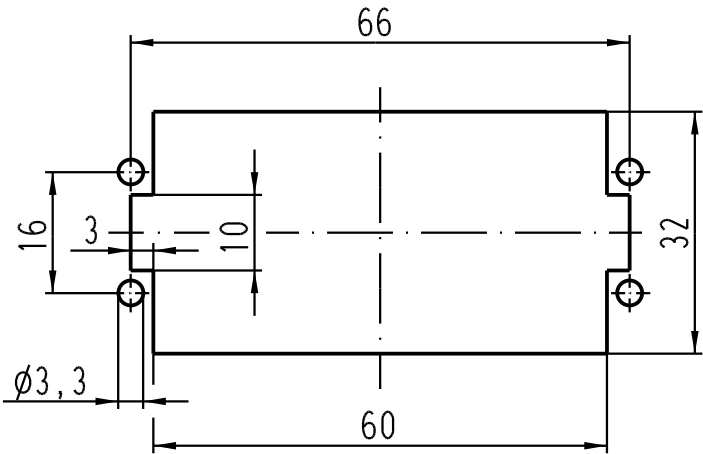
4



3

2

1

Montageausschnitt/
panel cut out



 All Dimensions in mm Original Size DIN A 4			Techn. Character.			Nicht tolerierte Masse/ Free size tolerances	
			Dat.	Name	Masstab/Scale		
411720	25.07.05	Grie	Detail.	29.03.99	PL	1:1	Han 16A-M-s Stifteinsatz / male insert
411421	18.01.05	Loe.	Insp.		SDT		
410526	18.07.03	Ho	Stand.				
410069	22.05.02	Gö	HARTING Electric GmbH & Co. KG				TB 09 20 016 2612
25622			D-32339 Espelkamp				
Mod.	Dat.	Name				Sub. TB 09 20 0.. 2612 v. 11.01.96	